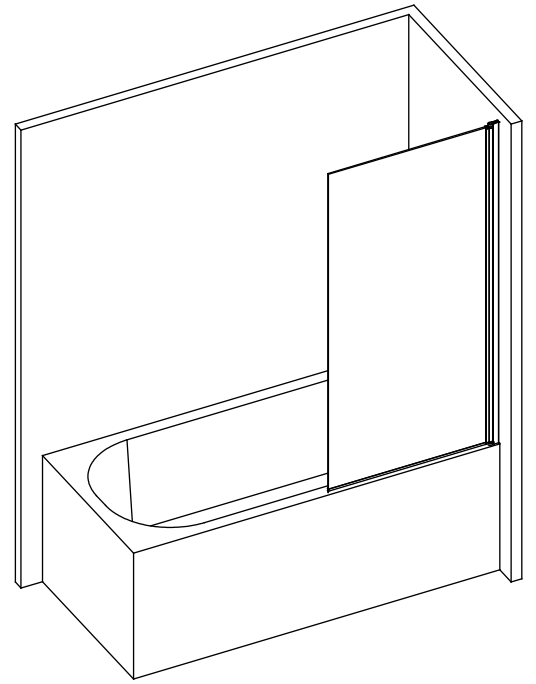
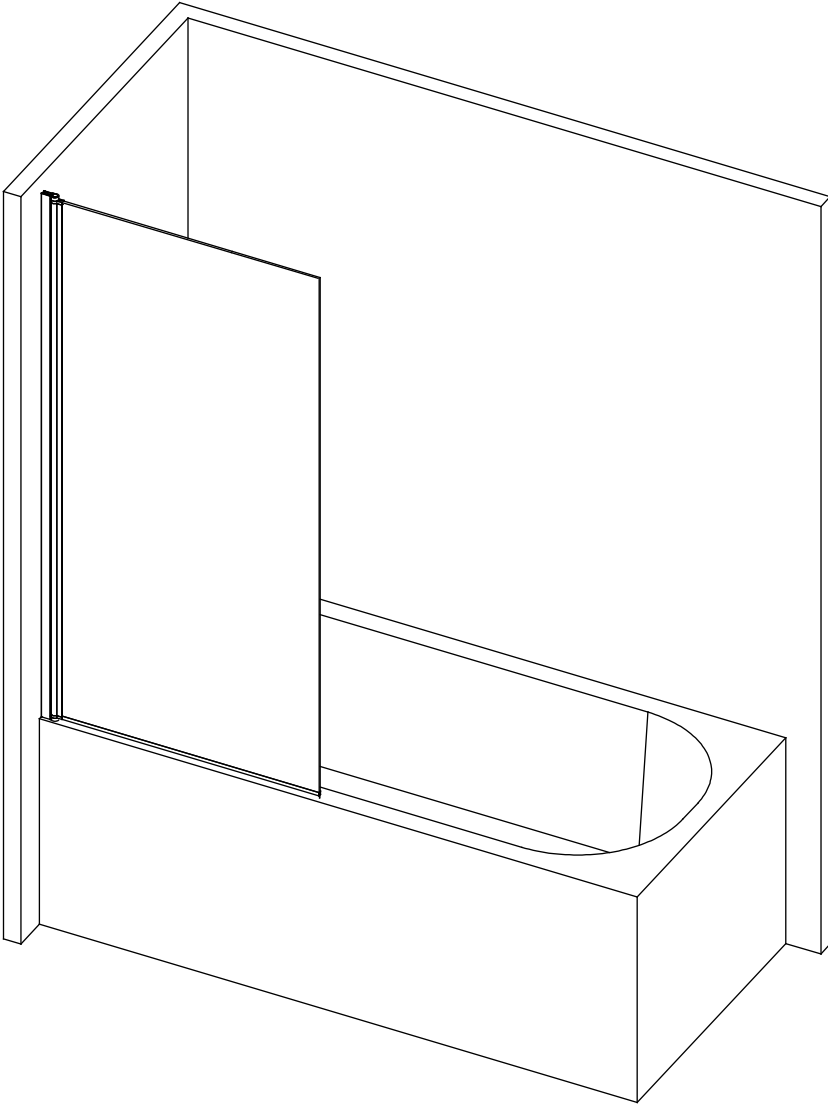
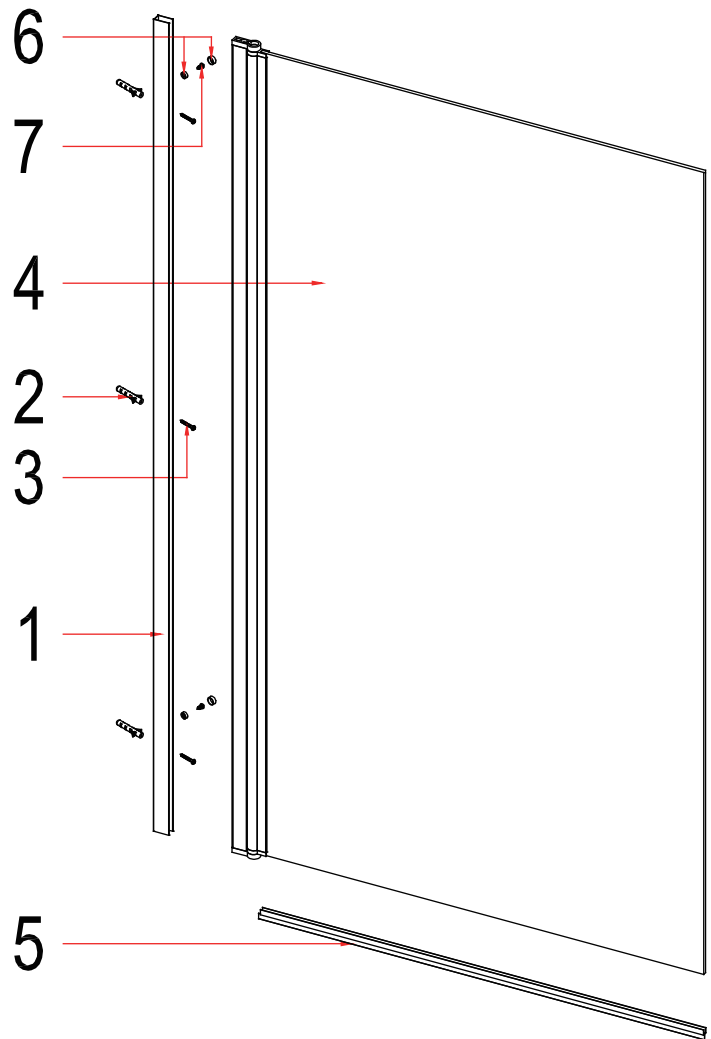
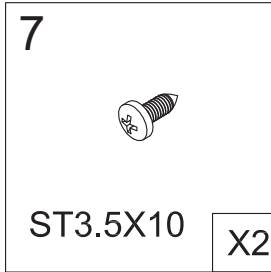
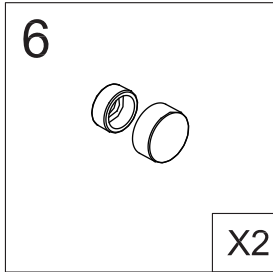
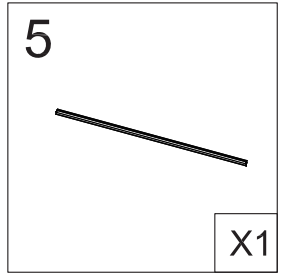
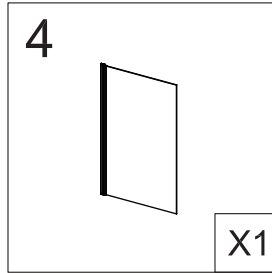
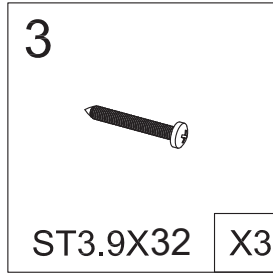
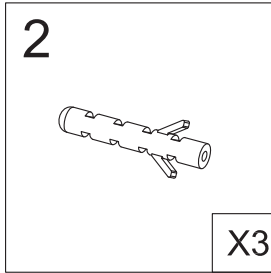
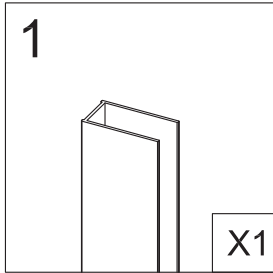
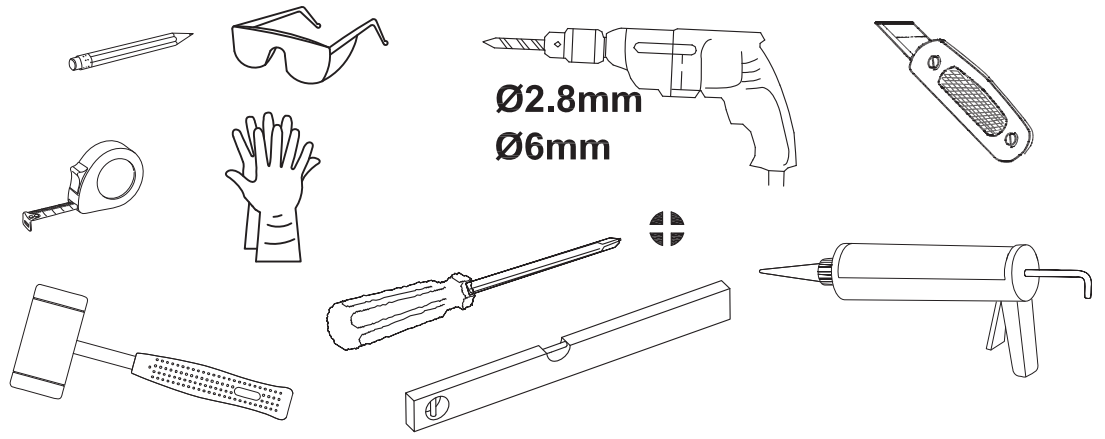
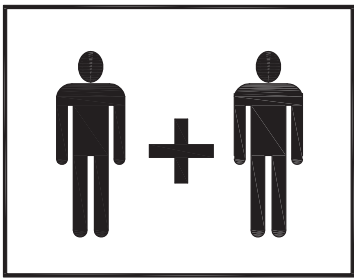
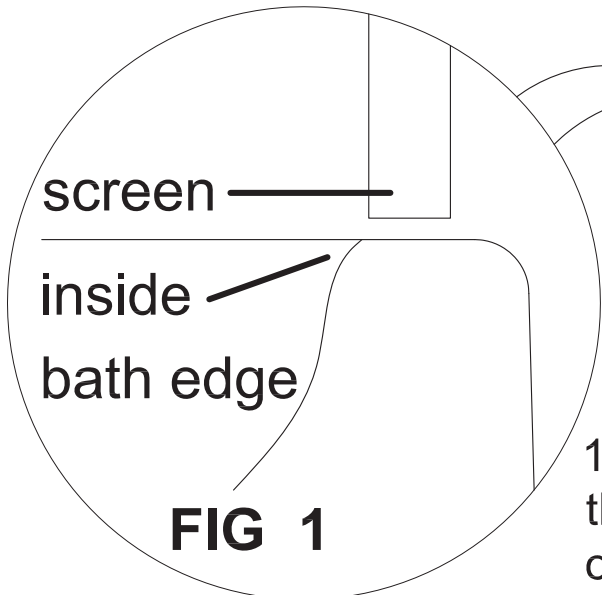
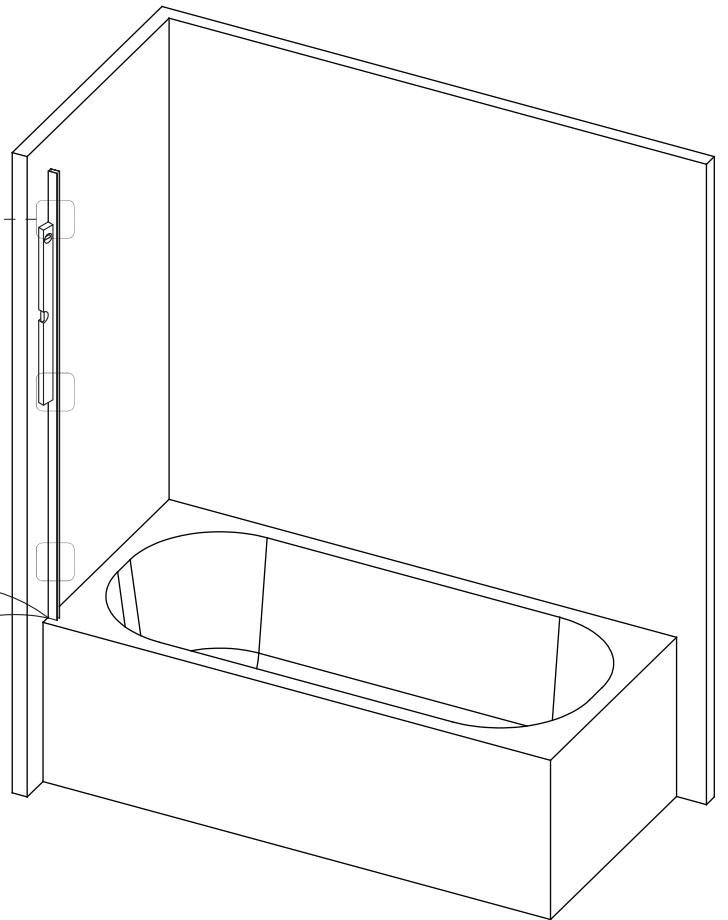
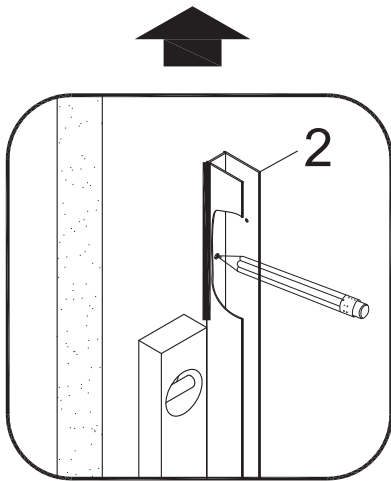
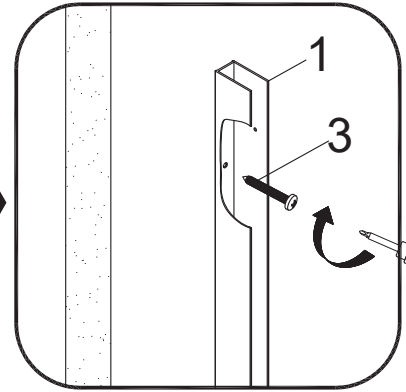
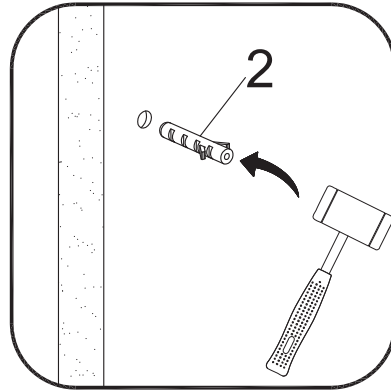
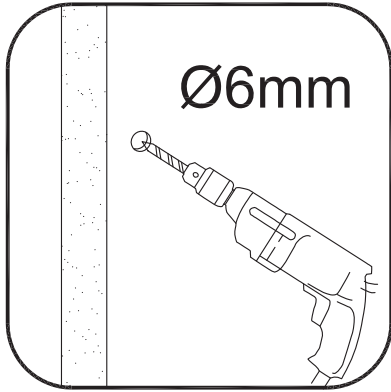
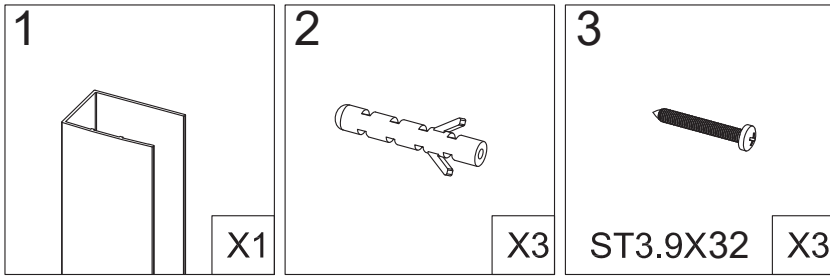
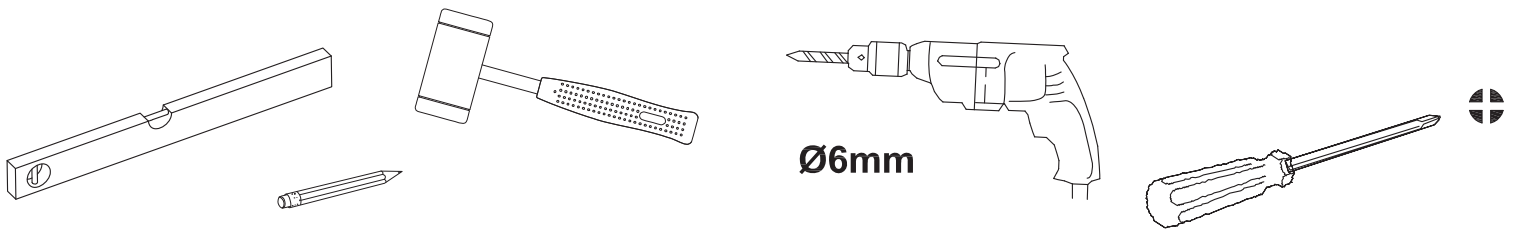


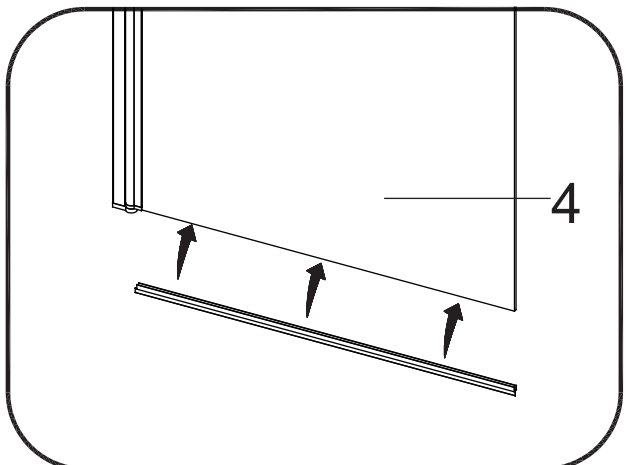
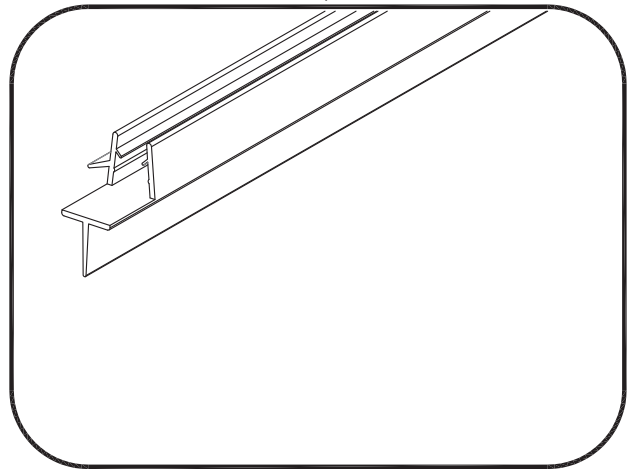
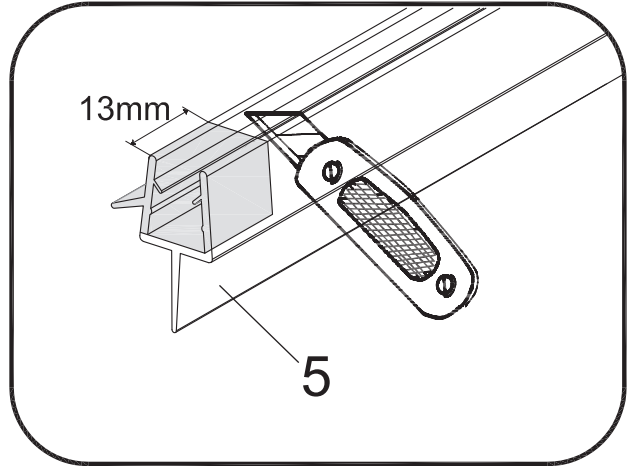
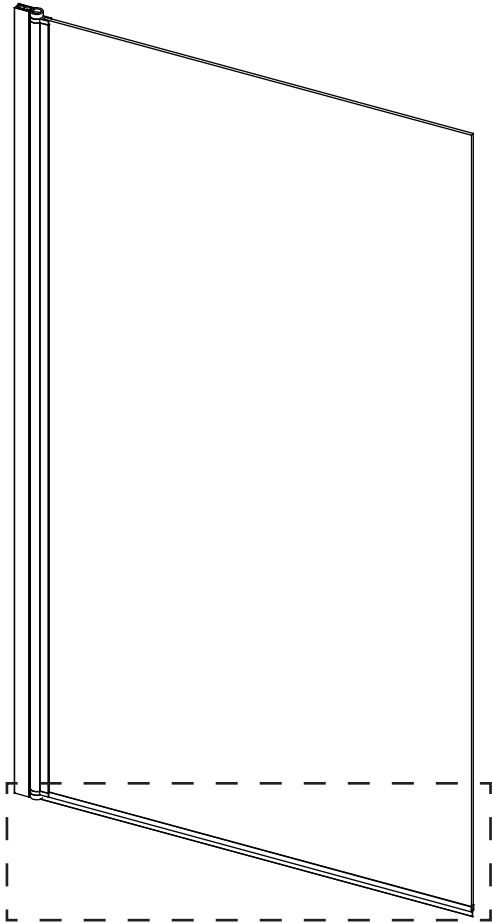
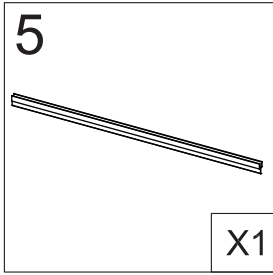
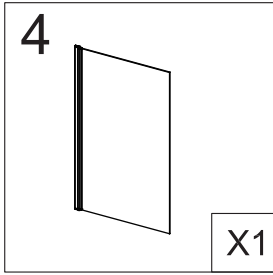
LA780

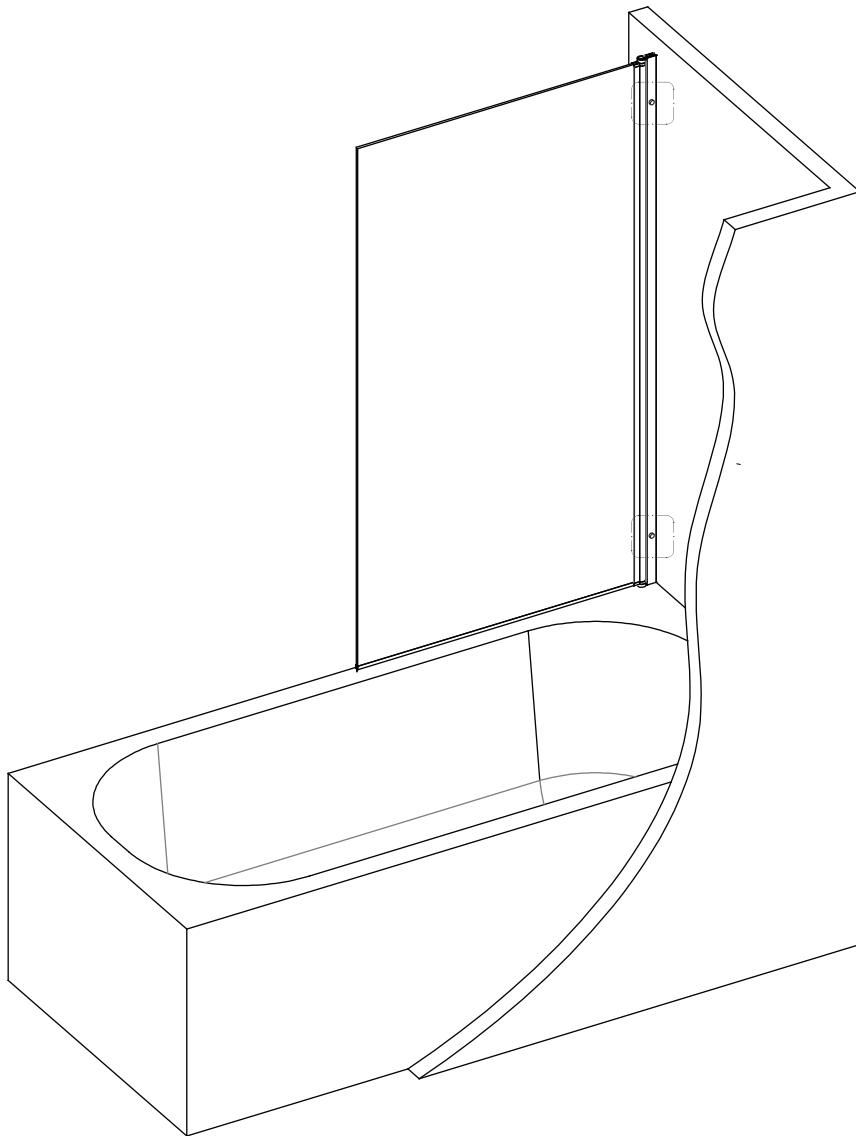
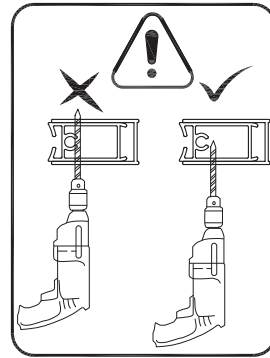
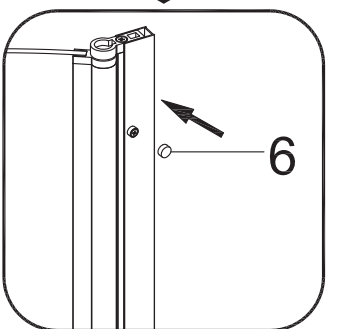
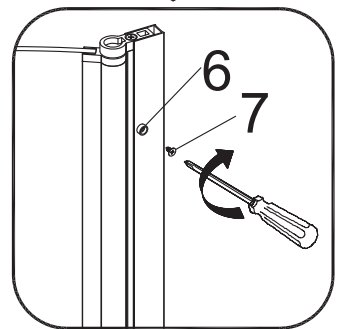
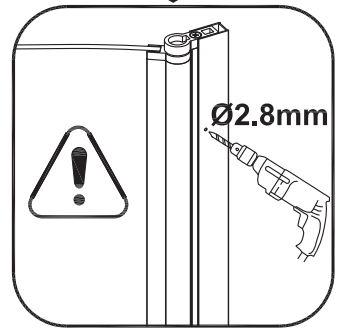
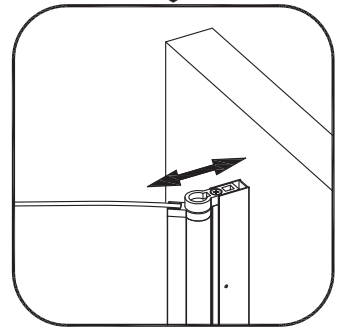
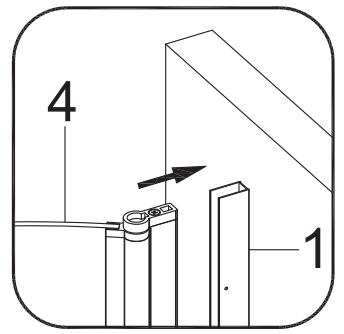
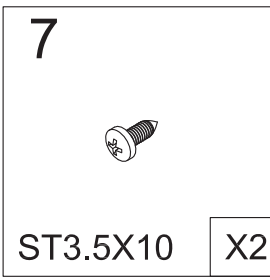
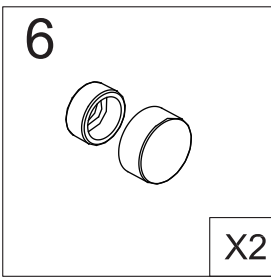
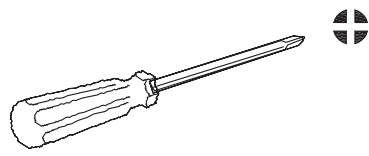
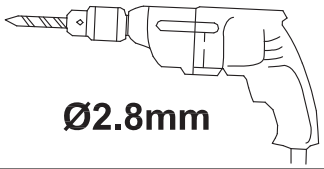






1. Position the wall profile so the seal on the moving panel sits on the inside edge of the bath .**FIG 1.**





5

