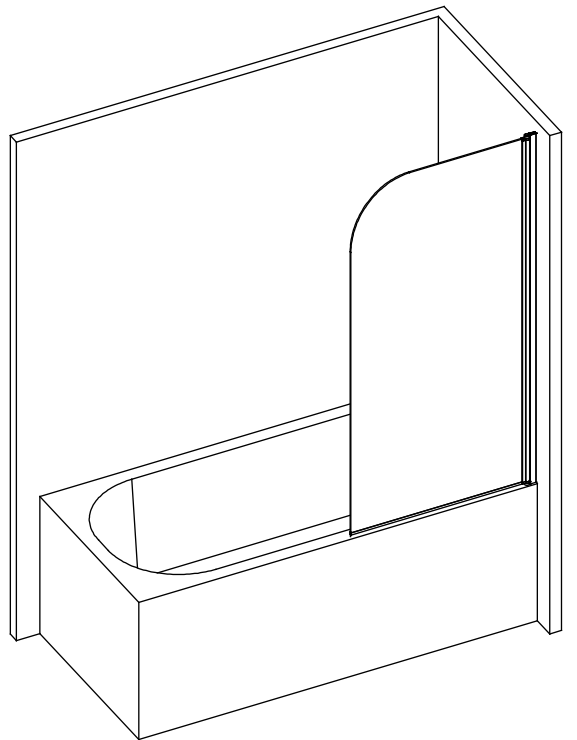
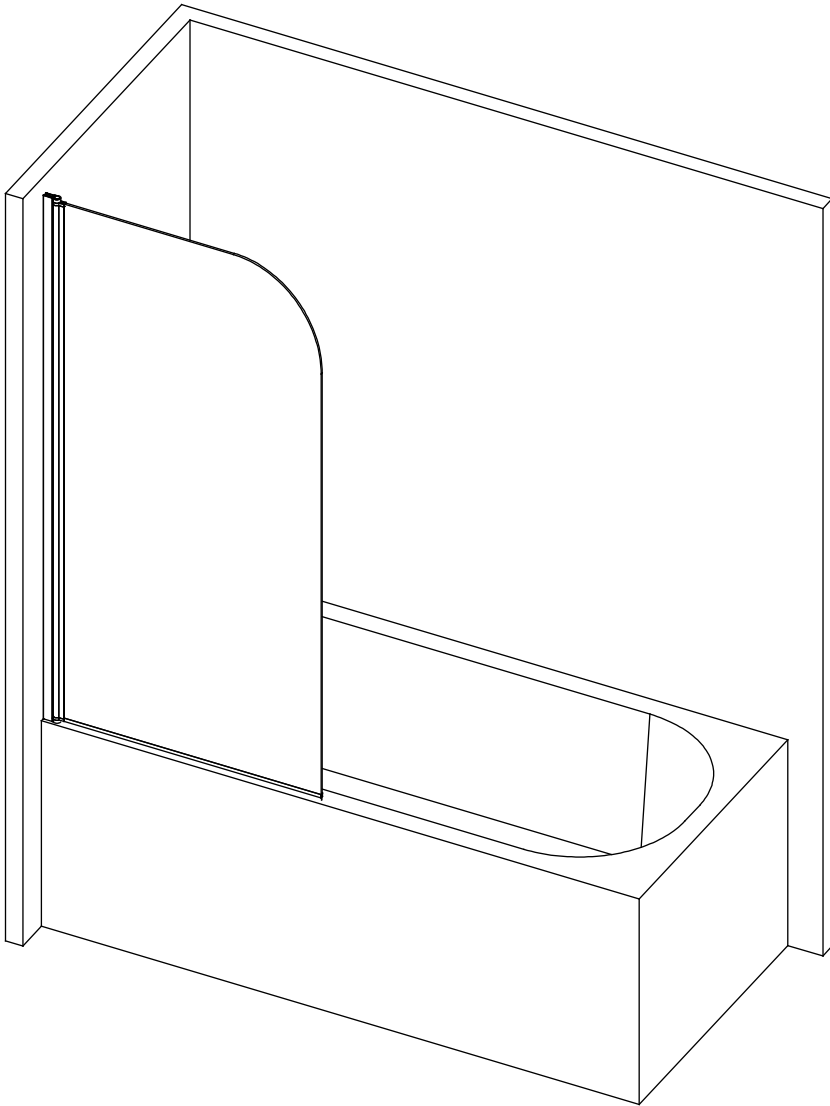
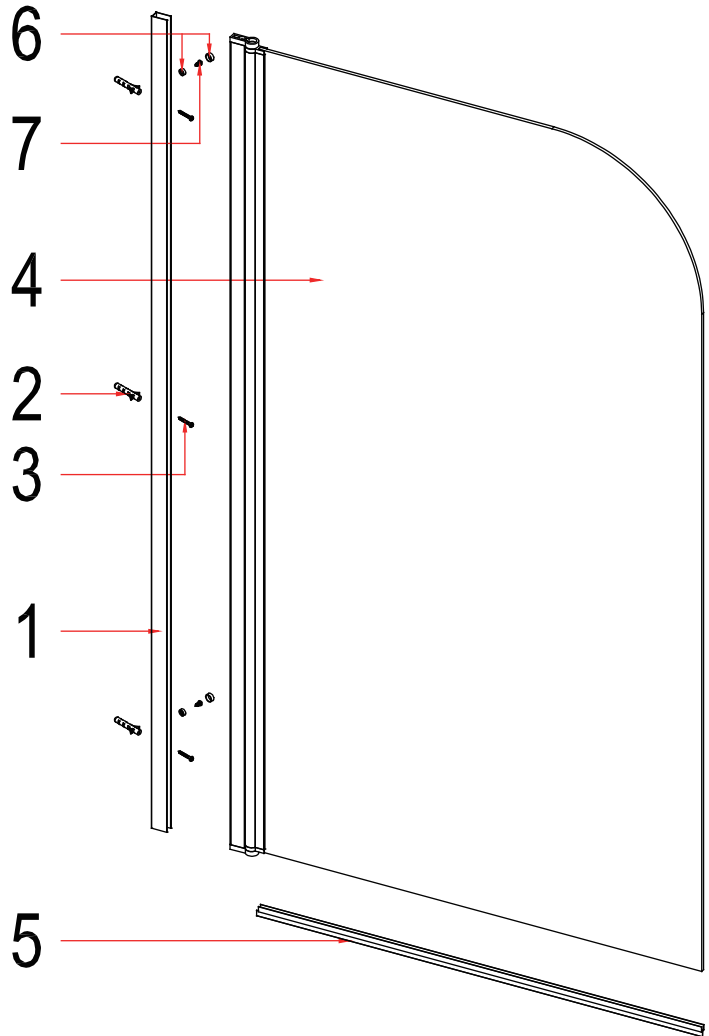
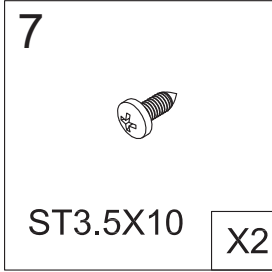
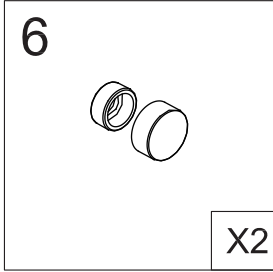
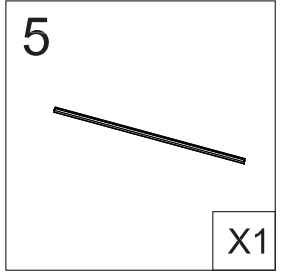
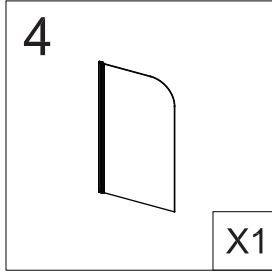
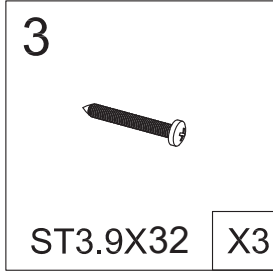
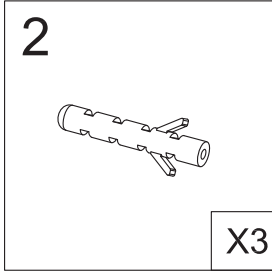
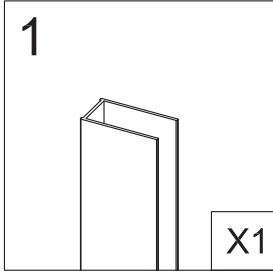
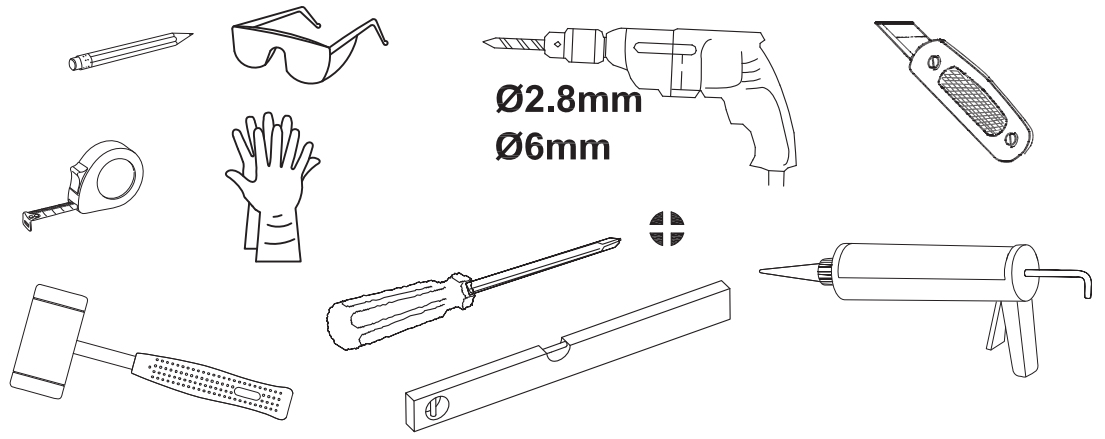
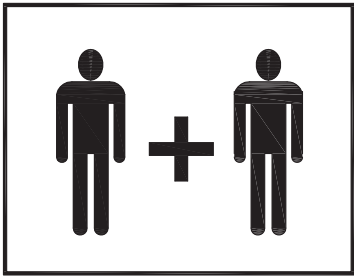
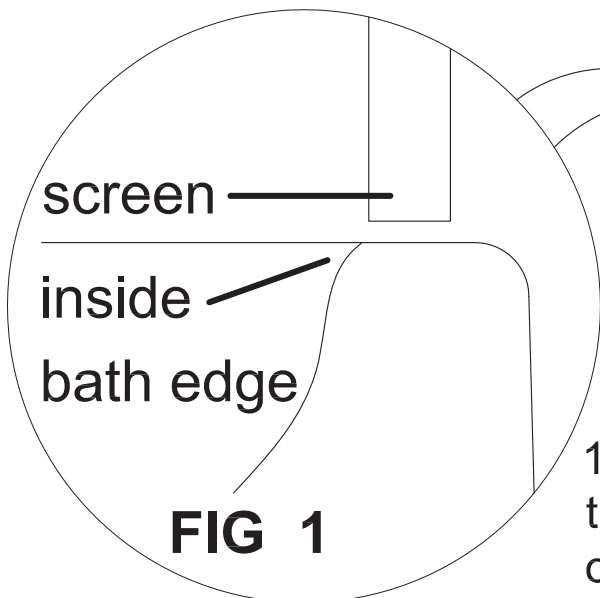
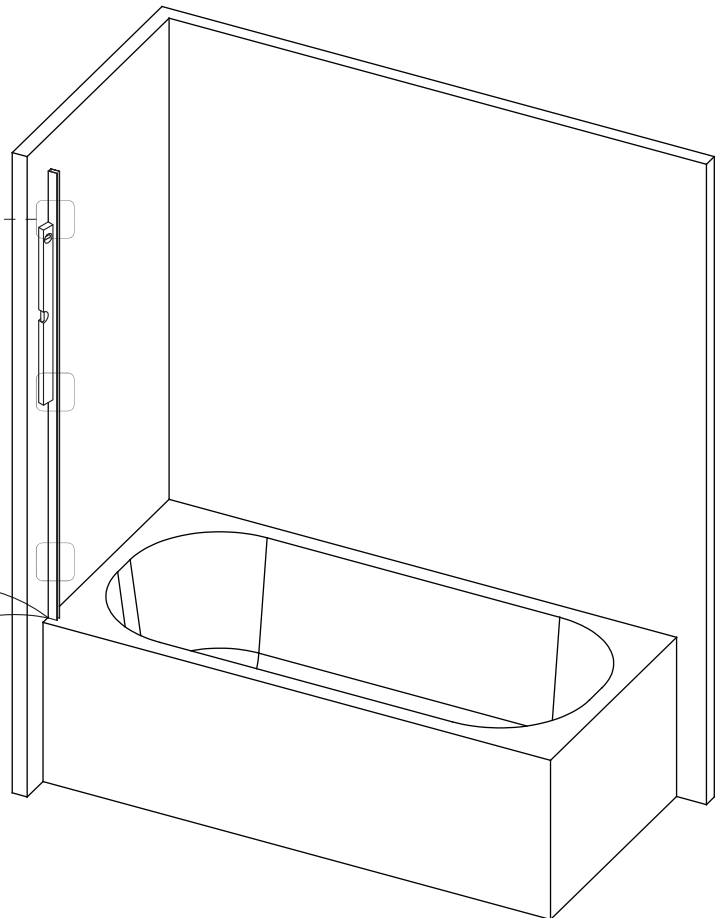
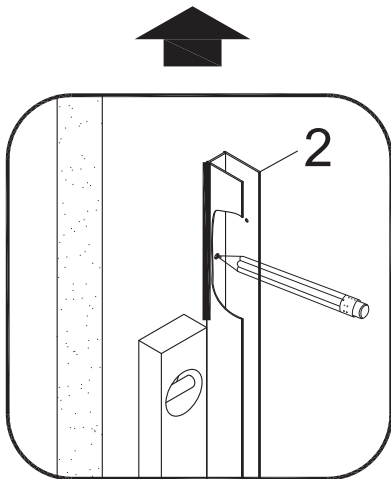
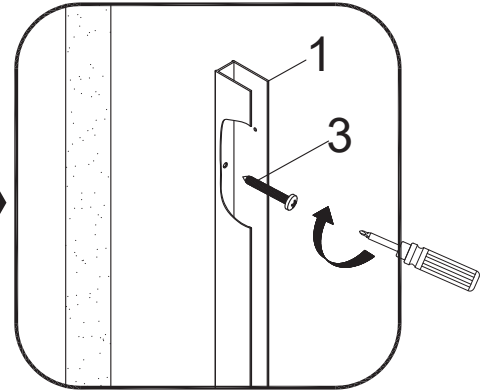
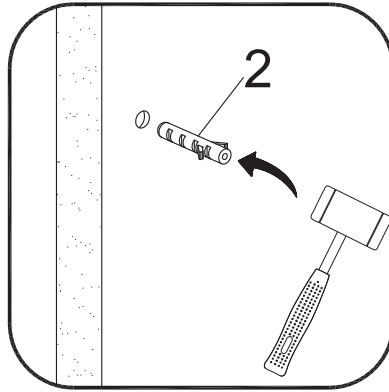
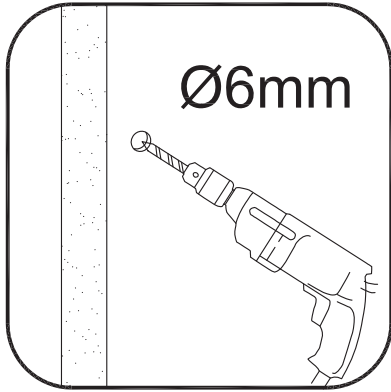
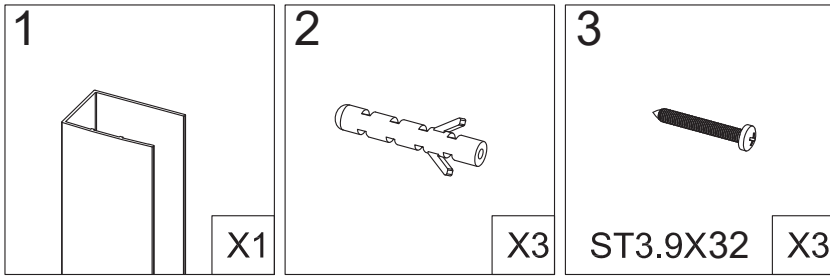
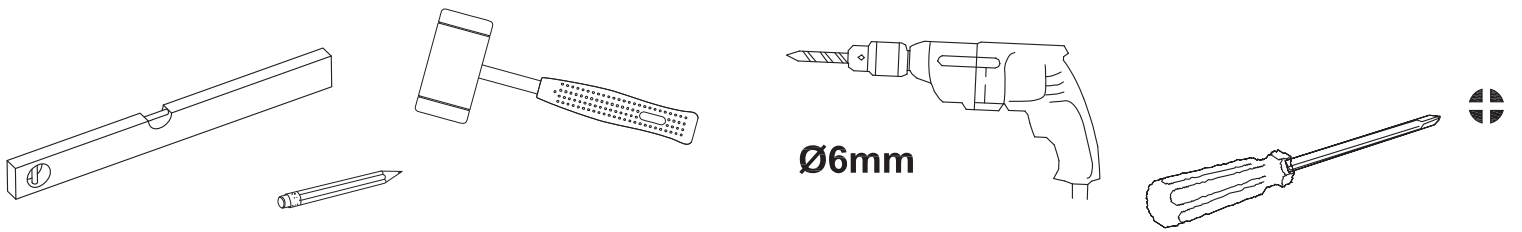


LA700/LA700B







1. Position the wall profile so the seal on the moving panel sits on the inside edge of the bath .**FIG 1.**

